

PRODUCT FEATURES & TECHNICAL INFORMATION

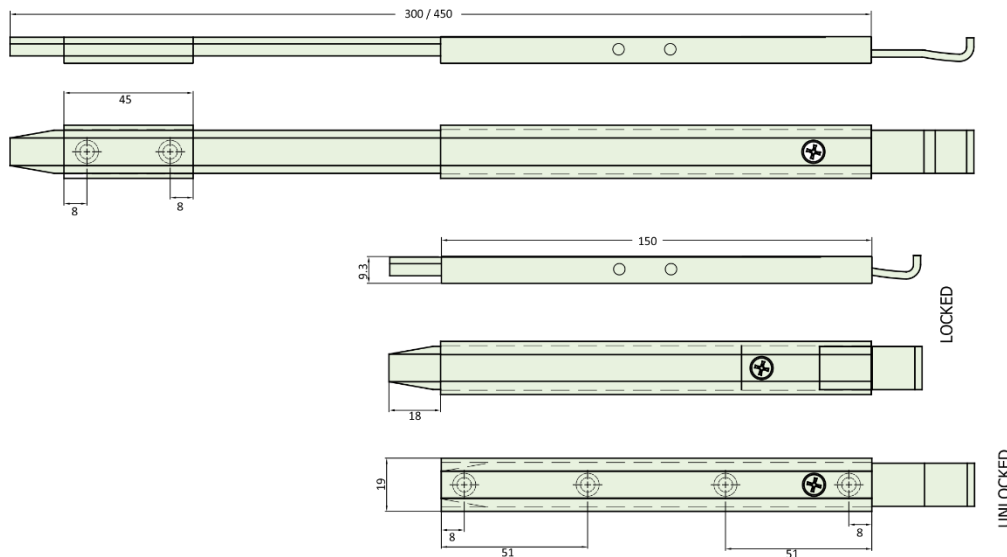
- Concealed and slim-line bolt which sits neatly inside profile section
- For use on windows and doors
- Available in 3 sizes 150mm, 300mm and 450mm
- Use with B85C450 Extension Bolt for variable and increasing bolt lengths
- Key allows locking option for added security or can be used without locking feature
- Accessories include locking key, M4 fixing screws, concealed wedge and top hat wedge for face fix inward opening doors and windows
- B85PLT floor mounted keep can be ordered separately, mounts flush to the floor where a door threshold is not used
- Available in several finishes or matching RAL finish on request
- Complimentary window handles, pegstays, door handles and escutcheons

B85C Concealed Slim Line Long Key Lockable Bolt



B85C Bolt & Accessories

Steel Window Fittings / Bolts/B85C



Dimensions